

WICHI-20 (Wireless)

Position Tracking and Messenger

Iridium's low latency SBD service provides the ideal solution for Worldwide tracking and Monitoring. WichI-20 using Iridium 9602 modem delivers the tracking information of your assets. You can monitor your assets anywhere on the planet. WICHI-20 has Built-in Rechargeable Battery that lasts more than 100 hours without power supply.



Global Coverage

Iridium's 66 satellites cover from the north pole to south pole, They provide global and low-latency SBD service with communication stability.



Fast & Accurate Information

Built-in GNSS receiver and Iridium SBD service provide near real-time tracking and monitoring with remote assets.



Add-on Bluetooth

WICHI-20 Bluetooth Built-in option provides capability to connect with the Modootel application on the iOS/Android mobile phone.



Buit-in Microprocessor

Microprocessor-independent allows remote-assets registration and changing settings.



Distress Signal function

Distress signal function works on the mobile and web application or your separate distress device.



Easy Installation

Start to work automatically by just power-on after registration remotely.



Safe Battery

The lithium iron phosphate battery, LiFePO4(LFP) is the safest type of rechargeable battery. allows remote-assets registration and changing settings.



Long Lasting Battery Life

High energy density, compatible and the life cycle reaches thousands of times. It has a capacity of over 80% even over 2,000 times of cycle life.



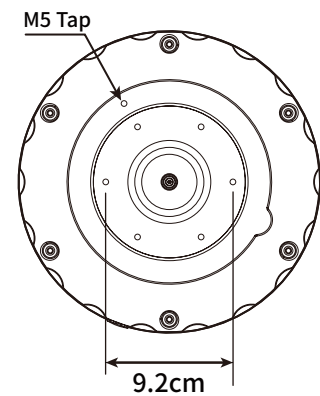
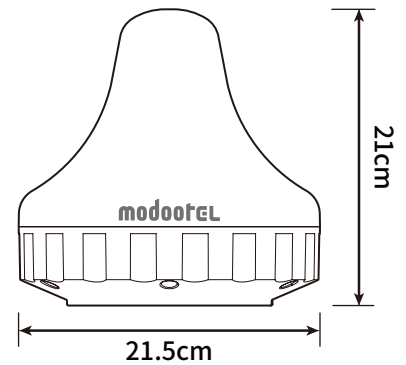
-20°C~+60°C

The use of the lithium-ion battery is possible in a wide temperature range .



WICHI-20

Iridium Service		Battery Materials	
Short Burst Data	9602N	Anode Materials	Lithium iron phosphate LiFePO4
Data(Maximum) Transmit and Receive	Tx : 340byte, Rx : 270byte	Cathod Materials	Graphite
Physical		Battery specification	
Dimension	ø215 x 210 mm	Rated Voltage	12.8V (Max 14.6V)
Weight	1.8kg	cut-off voltage	10.0V
Power		Capacity(mAh)	12,000mAh
Input Voltage	16V~32V (6A)	Internal resistance	2.1~2.8mΩ (≤3.0mΩ)
Receive	0.7W, Max Peak:1.5W	Cycle life	2,000~3000cycles (DOD 80%)
Transmit	1.5W, Max Peak: 8W	Maximum available time	100hours (as of 1.5W usage)
Idle	0.7W	Charging time	about 4hours
Battery charging power	43W		
Iridium Antenna			
Frequency	1616MHz ~ 1626.5MHz		
Return loss	<-15dB		
Gain	4dBic		
Polarization	RHCP		
GNSS Antenna			
Frequency	1575~1608MHz (GPS:1575, GLONASS:1592~1608)		
Return loss	7dB		
Gain	3.5dBic		
Polarization	RHCP		
Environmental			
Temperature range	-20°C ~ +65°C		
Charging temperature	-20°C ~ +45°C		
Humidity	Less than 95% at +40°C		
IP Rating	IP66		



modootel www.modootel.co.kr

RM 607 , 71, Centum dong-ro, Haeundae-gu, Busan, Korea Tel. 051-953-1331 Fax. 051-953-1505 E-mail : modootel@modootel.co.kr